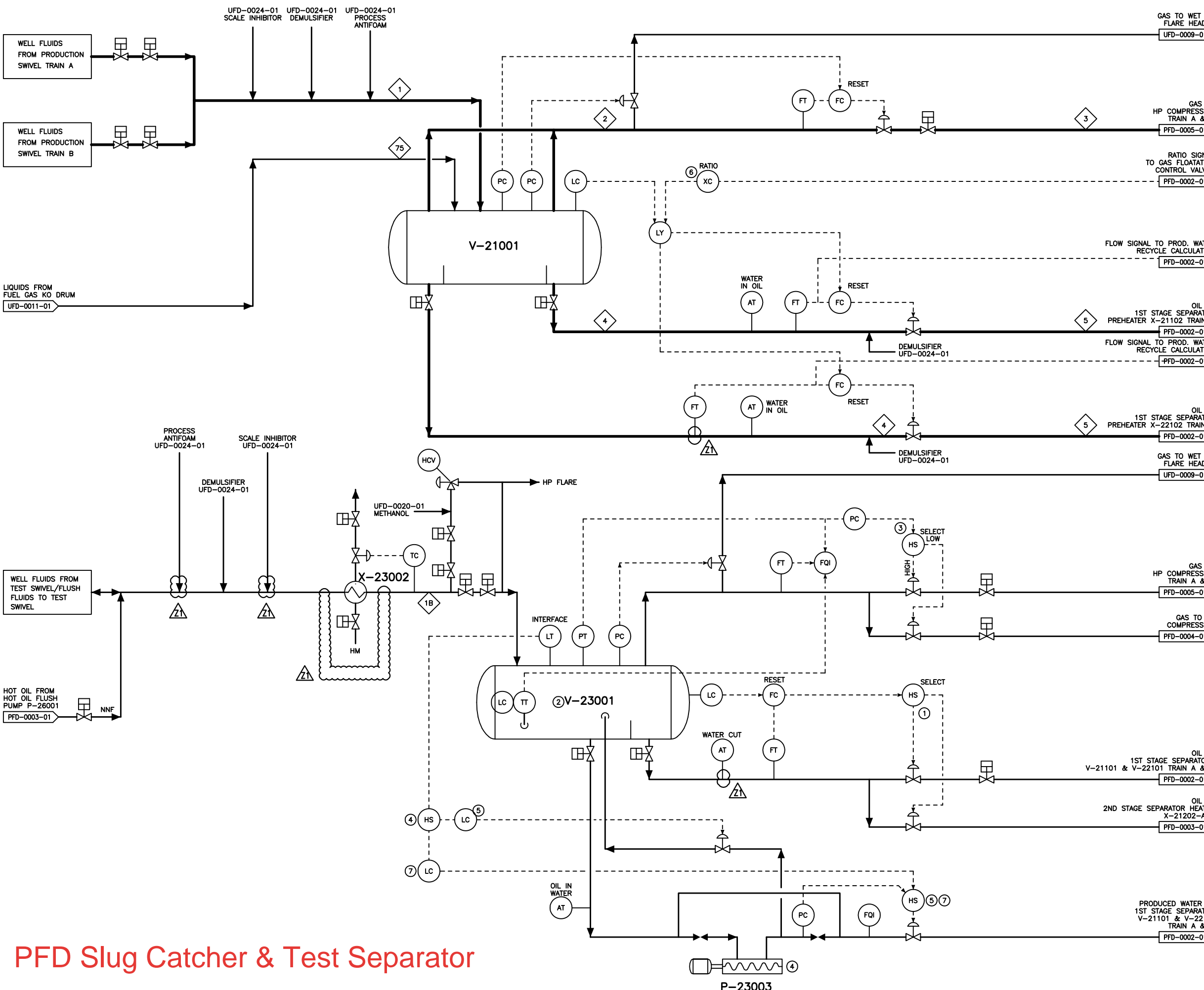


X-23002  
TEST SEPARATOR  
HEATER

V-21001  
SLUG CATCHER

V-23001  
TEST SEPARATOR

P-23003  
TEST SEPARATOR  
PRODUCED WATER PUMP



# PFD Slug Catcher & Test Separator

X-21102-A/B  
1ST STAGE SEPARATOR  
PREHEATER  
TRAIN A

X-22102-A/B  
1ST STAGE SEPARATOR  
PREHEATER  
TRAIN B

X-21103  
1ST STAGE SEPARATOR  
HEATER  
TRAIN A

X-22103  
1ST STAGE SEPARATOR  
HEATER  
TRAIN B

V-21101  
1ST STAGE SEPARATOR  
TRAIN A

V-22101  
1ST STAGE SEPARATOR  
TRAIN B

PRODUCED WATER TO  
WATER INJECTION  
PUMPS P-45001 A/B/C  
UFD-0027-02

GAS TO WET  
HP FLARE HEADER  
UFD-0009-01

GAS TO 1ST STAGE  
LP COMPRESSOR  
SUCTION COOLER X-34002  
PFD-0004-01

CRUDE OIL TO  
2ND STAGE  
SEPARATOR V-21201  
PFD-0003-01

PRODUCED WATER TO SEPARATION  
PRODUCED WATER CYCLONES  
PACKAGE Z-V-40505  
PFD-0007-01

SIGNAL TO SEPARATION  
PRODUCED WATER CYCLONES  
OUTLET LCV  
PFD-0007-01

FLOW SIGNAL TO GAS  
FLOATATION INLET  
FLOW TOTALISER  
PFD-0007-01

GAS TO WET  
HP FLARE HEADER  
UFD-0009-01

PRODUCED WATER TO  
SEPARATION PRODUCED  
WATER CYCLONES  
PACKAGE Z-V-40505  
PFD-0007-01

SIGNAL TO SEPARATION  
PRODUCED WATER CYCLONES  
OUTLET LCV  
PFD-0007-01

FLOW SIGNAL TO GAS  
FLOATATION INLET  
FLOW TOTALISER  
PFD-0007-01

WELL FLUIDS FROM  
SLUGCATCHER  
V-21001  
PFD-0001-01

OIL FROM  
TEST SEPARATOR V-23001  
PFD-0001-01

PRODUCED WATER FROM  
2ND STAGE SEPARATOR  
V-21201  
PFD-0003-01

PRODUCED WATER FROM  
TEST SEPARATOR V-23001  
PFD-0001-01

FLOW SIGNAL FROM  
SLUG CATCHER  
PFD-0001-01

FLOW SIGNAL FROM  
SLUG CATCHER  
PFD-0001-01

PRODUCED WATER  
FROM TREATMENT  
PFD-0007-02

SIGNAL FROM LC ON  
PRODUCED WATER  
GAS FLOATATION  
PACKAGE Z-V-43003  
PFD-0007-02

RATIO SIGNAL FROM  
SLUG CATCHER  
PFD-0001-01

WELL FLUIDS  
FROM SLUGCATCHER  
V-21001  
PFD-0001-01

# PFD 1st Stage Separation

A B C D E F G H

X-21202-A/B  
2ND STAGE  
SEPARATOR  
HEATER

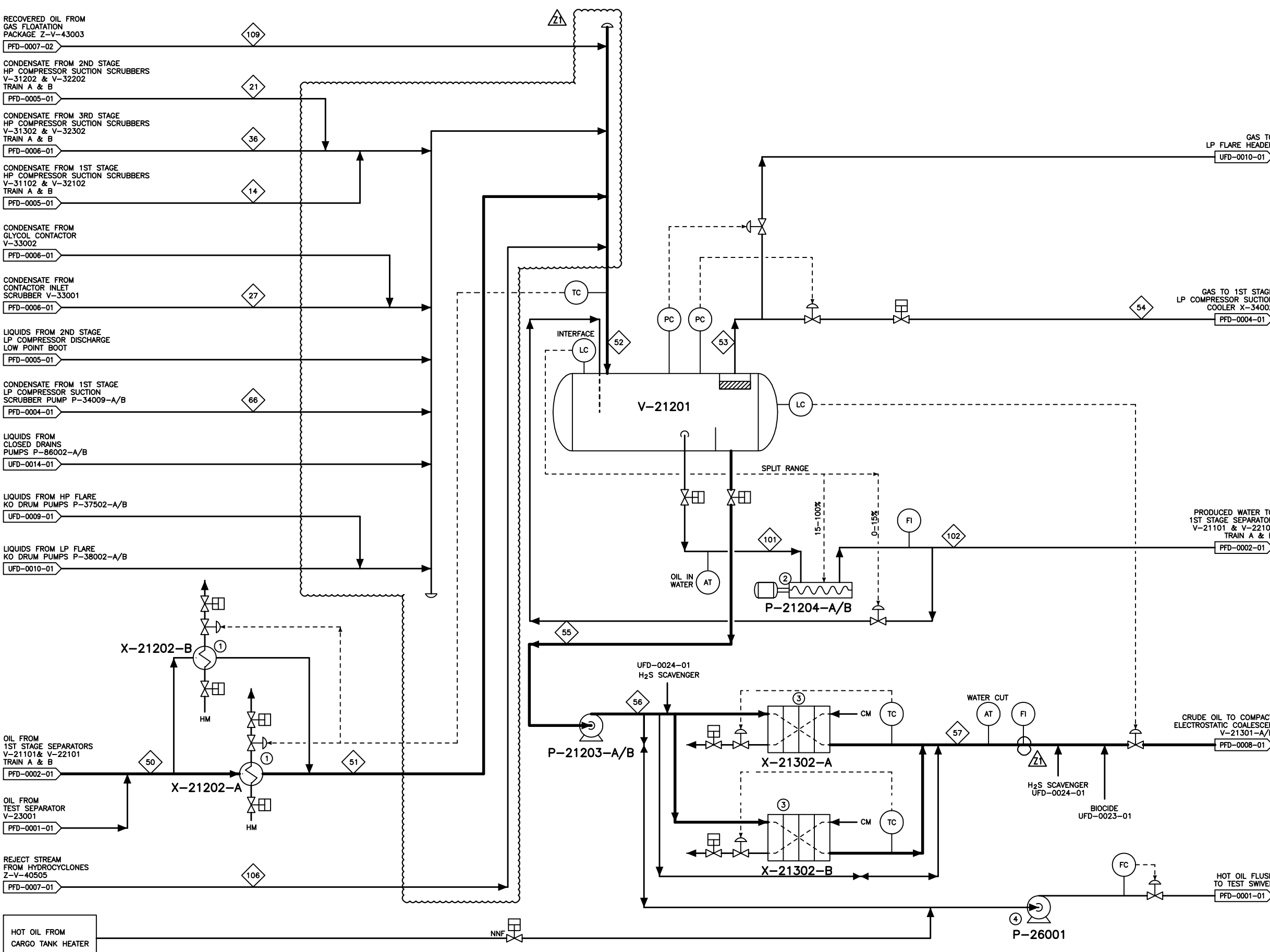
P-21203-A/B  
CRUDE OIL  
TRANSFER PUMP

P-21204-A/B  
2ND STAGE  
PRODUCED WATER  
PUMP

V-21201  
2ND STAGE  
SEPARATOR

X-21302-A/B  
CRUDE OIL  
RUNDOWN COOLER

P-26001  
HOT OIL FLUSH  
PUMP



# PFD 2nd Stage Separation

A B C D E F G H

**X-34002**  
1ST STAGE  
LP COMPRESSOR  
SUCTION COOLER

**V-34003**  
1ST STAGE  
LP COMPRESSOR  
SUCTION SCRUBBER

**F-34010-A/B**  
1ST STAGE  
LP COMPRESSOR  
SUCTION FILTER

**P-34009-A/B**  
1ST STAGE  
LP COMPRESSOR  
SUCTION SCRUBBER  
PUMP

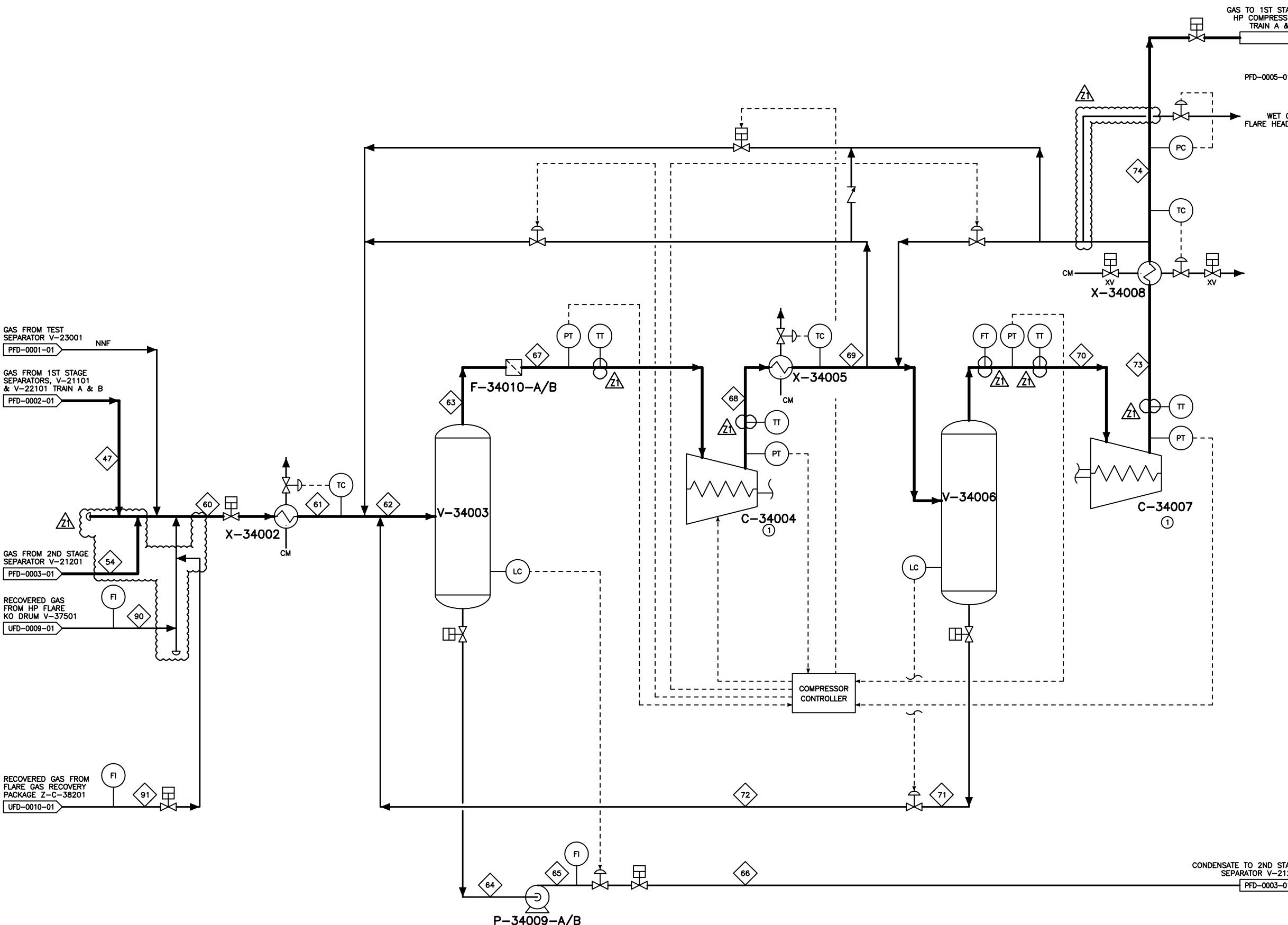
**C-34004**  
1ST STAGE  
LP COMPRESSOR

**X-34005**  
1ST STAGE  
LP COMPRESSOR  
DISCHARGE COOLER

**V-34006**  
2ND STAGE  
LP COMPRESSOR  
SUCTION SCRUBBER

**C-34007**  
2ND STAGE  
LP COMPRESSOR

**X-34008**  
2ND STAGE  
LP COMPRESSOR  
DISCHARGE COOLER



# PFD LP Compression

V-31102  
1ST STAGE  
HP COMPRESSOR  
SUCTION SCRUBBER  
TRAIN A

F-31105-A/B  
1ST STAGE  
HP COMPRESSOR  
SUCTION FILTER  
TRAIN A

C-31101  
1ST STAGE  
HP COMPRESSOR  
TRAIN A

X-31103  
1ST STAGE  
HP COMPRESSOR  
DISCHARGE COOLER  
TRAIN A

V-31202  
2ND STAGE  
HP COMPRESSOR  
SUCTION SCRUBBER  
TRAIN A

C-31201  
2ND STAGE  
HP COMPRESSOR  
TRAIN A

X-31203  
2ND STAGE  
HP COMPRESSOR  
DISCHARGE COOLER  
TRAIN A

GAS TO 1ST STAGE  
HP COMPRESSOR  
SUCTION SCRUBBER  
TRAIN B V-32102

COMPRESSOR CONTROL SIGNAL  
TO/FROM GAS TRAIN B

GAS TO  
CONTRACTOR INLET  
SCRUBBER V-33001  
PFD-0006-01

CONDENSATE FROM  
2ND STAGE HP COMPRESSOR  
SUCTION SCRUBBER  
TRAIN B V-32202

CONDENSATE TO  
2ND STAGE  
SEPARATOR V-21201  
PFD-0003-01

CONDENSATE FROM  
1ST STAGE HP COMPRESSOR  
SUCTION SCRUBBER  
TRAIN B V-32102

CONDENSATE TO  
2ND STAGE  
SEPARATOR V-21201  
PFD-0003-01

GAS TO  
TANK BLANKETING  
SYSTEM

CONDENSATE TO  
2ND STAGE SEPARATOR  
V-21201  
PFD-0003-01

GAS FROM TEST  
SEPARATOR V-23001  
PFD-0001-01

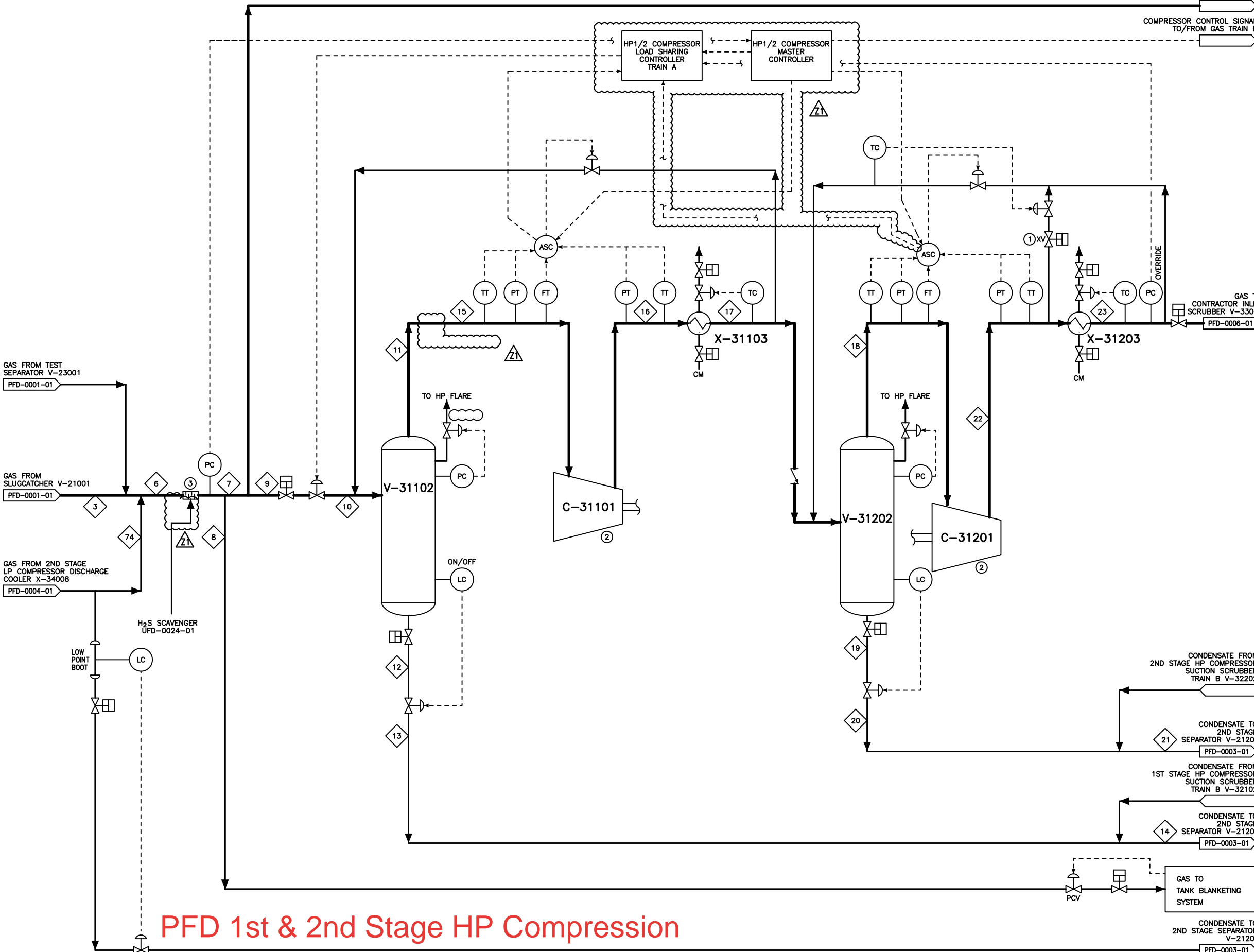
GAS FROM  
SLUGCATCHER V-21001  
PFD-0001-01

GAS FROM 2ND STAGE  
LP COMPRESSOR DISCHARGE  
COOLER X-34008  
PFD-0004-01

H<sub>2</sub>S SCAVENGER  
UFD-0024-01

LOW  
POINT  
BOOT

# PFD 1st & 2nd Stage HP Compression



A

B

C

D

E

F

G

H

X-37001  
GAS IMPORT  
HEATER

Z-IMP-37002  
GAS IMPORT/EXPORT  
FISCAL METERING  
PACKAGE

V-33001  
CONTACTOR  
INLET SCRUBBER

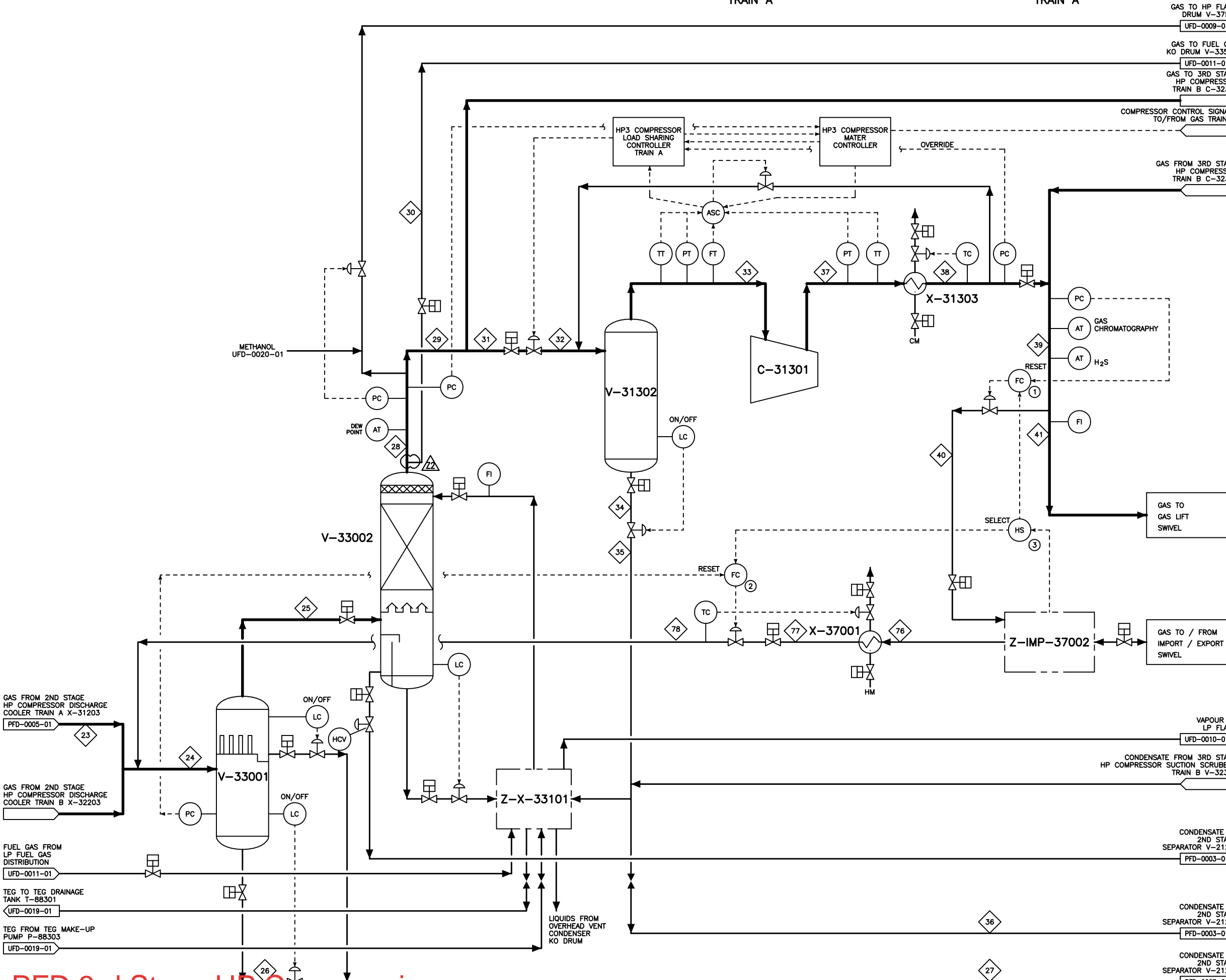
V-33002  
GLYCOL  
CONTACTOR

Z-X-33101  
TEG  
REGENERATION  
PACKAGE

V-31302  
3RD STAGE  
HP COMPRESSOR  
SUCTION SCRUBBER  
TRAIN A

C-31301  
3RD STAGE  
HP COMPRESSOR  
TRAIN A

X-31303  
3RD STAGE  
HP COMPRESSOR  
DISCHARGE COOLER  
TRAIN A



# PFD 3rd Stage HP Compression

A B C D E F G H

**Z-V-40505**  
SEPARATION PRODUCED WATER  
CYCLONES PACKAGE

**Z-V-40503**  
COT RECOVERED  
WATER TREATMENT  
HYDROCYCLONE PACKAGE

FLOW SIGNAL FROM PROD.  
WATER FLOW CONTROLLER ON  
1ST STAGE SEPARATOR TRAIN A  
PFD-0002-01

SIGNAL FROM INTERFACE  
LEVEL CONTROLLER ON  
1ST STAGE SEPARATOR TRAIN A  
PFD-0002-01

PRODUCED WATER FROM  
1ST STAGE SEPARATOR  
TRAIN A V-21101  
PFD-0002-01

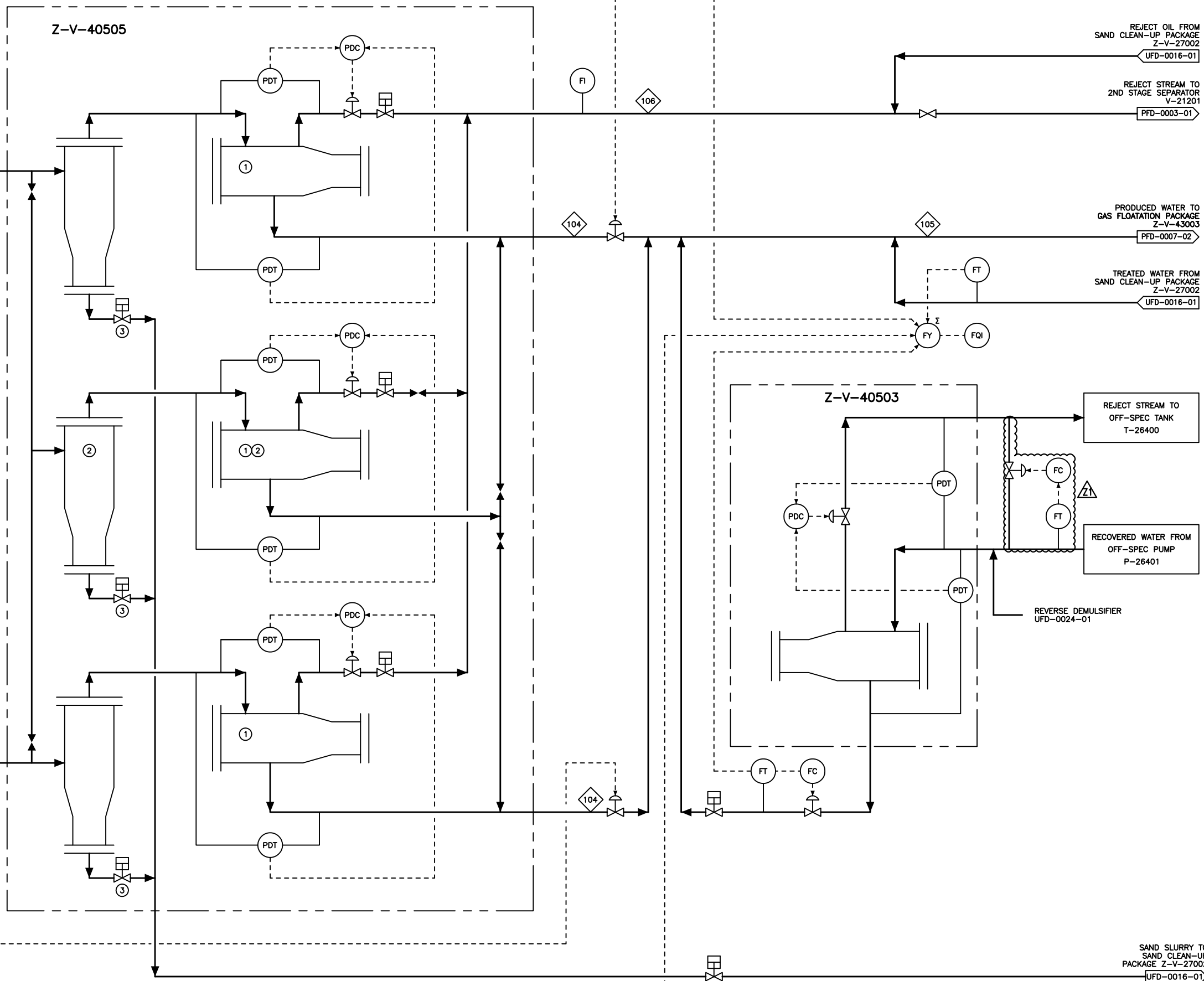
REVERSE DEMULSIFIER  
UFD-0024-01

PRODUCED WATER FROM  
1ST STAGE SEPARATOR  
TRAIN B V-22101  
PFD-0002-01

REVERSE DEMULSIFIER  
UFD-0024-01

SIGNAL FROM INTERFACE  
LEVEL CONTROLLER ON  
1ST STAGE SEPARATOR TRAIN B  
PFD-0002-01

FLOW SIGNAL FROM PROD.  
WATER FLOW CONTROLLER ON  
1ST STAGE SEPARATOR TRAIN B  
PFD-0002-01



**PFD Produced Water Treatment (sheet 1)**

Z-V-43003  
PRODUCED WATER  
GAS FLOTATION  
PACKAGE

P-43001-A/B/C  
PRODUCED WATER  
BOOSTER PUMPS

Z-V-43005  
TREATED PRODUCED  
WATER DESANDING  
CYCLONE PACKAGE

PRODUCED WATER FROM  
PRODUCED WATER TREATMENT  
PACKAGES Z-V-40505/  
Z-V-40503/Z-V-27002  
PFD-0007-01

DISSOLVED GASES TO  
LP FLARE KOD  
UFD-0010-01

SIGNAL TO 1ST STAGE  
SEPARATOR PRE-HEATER  
FLOW CONTROLLERS  
PFD-0002-01

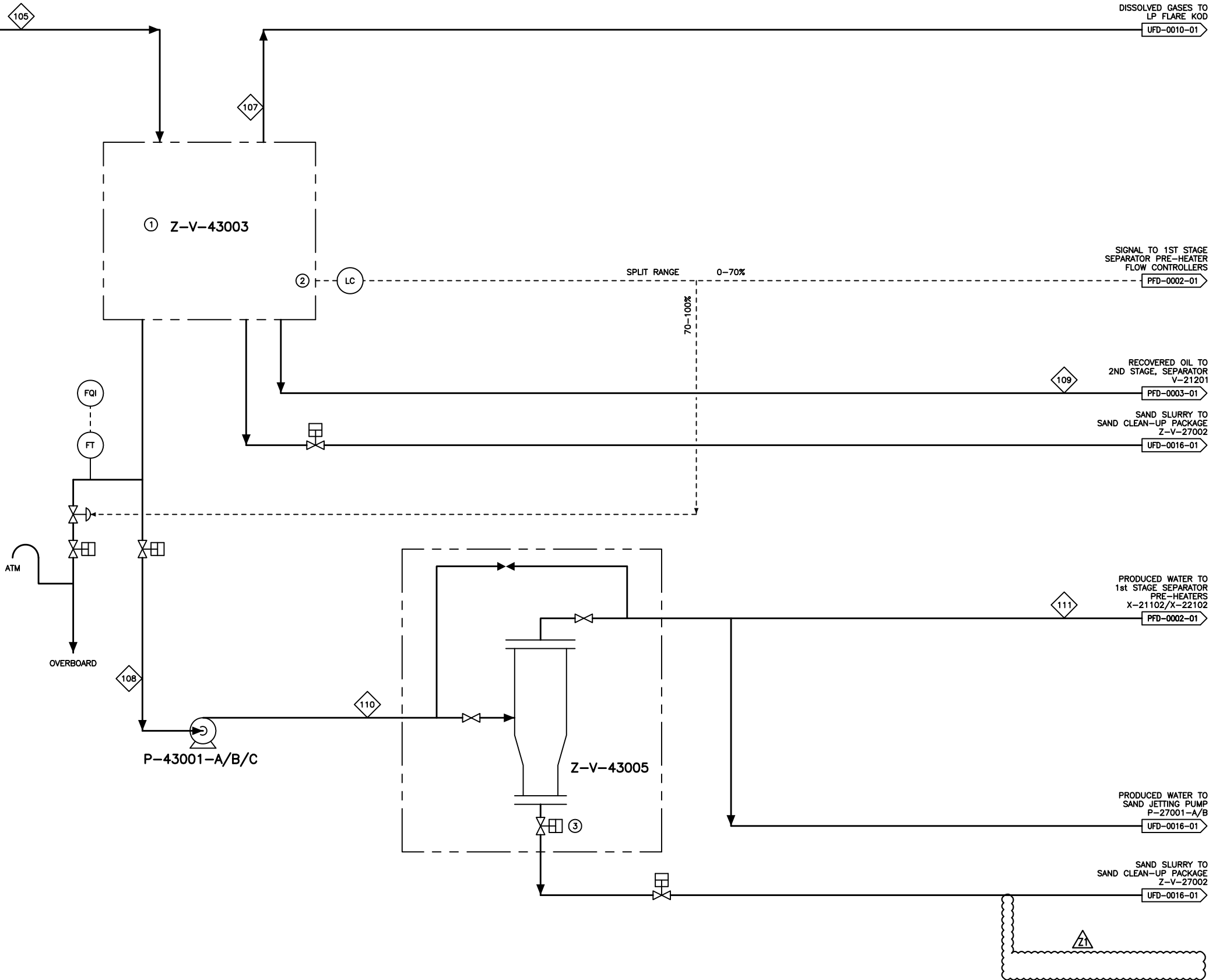
RECOVERED OIL TO  
2ND STAGE, SEPARATOR  
V-21201  
PFD-0003-01

SAND SLURRY TO  
SAND CLEAN-UP PACKAGE  
Z-V-27002  
UFD-0016-01

PRODUCED WATER TO  
1st STAGE SEPARATOR  
PRE-HEATERS  
X-21102/X-22102  
PFD-0002-01

PRODUCED WATER TO  
SAND JETTING PUMP  
P-27001-A/B  
UFD-0016-01

SAND SLURRY TO  
SAND CLEAN-UP PACKAGE  
Z-V-27002  
UFD-0016-01

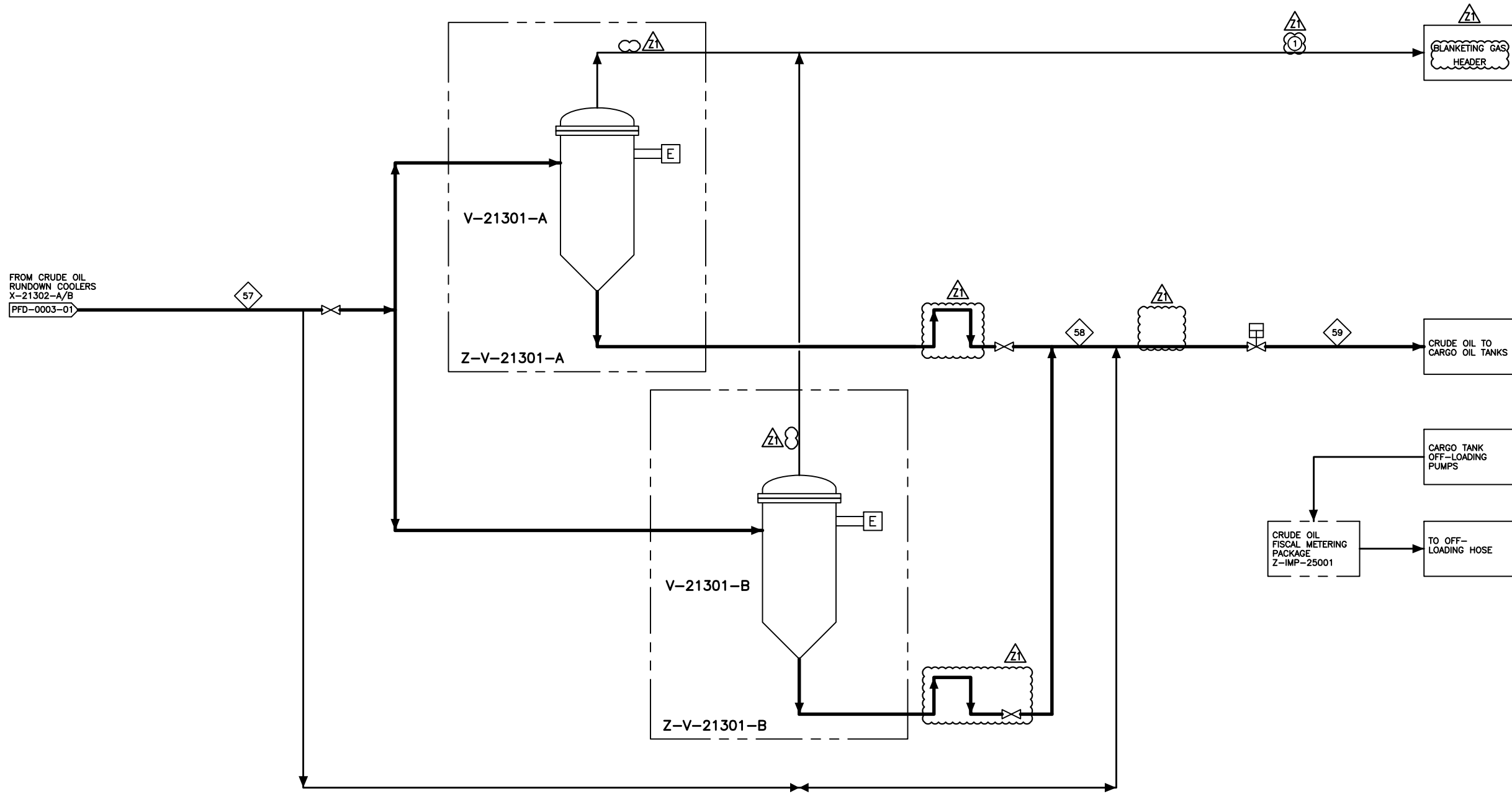




Z-V-21301-A/B  
COMPACT ELECTROSTATIC  
COALESCER PACKAGE

V-21301-A/B  
COMPACT ELECTROSTATIC  
COALESCER

Z-IMP-25001  
CRUDE OIL FISCAL  
METERING PACKAGE



PFD Electrostatic Coalescers