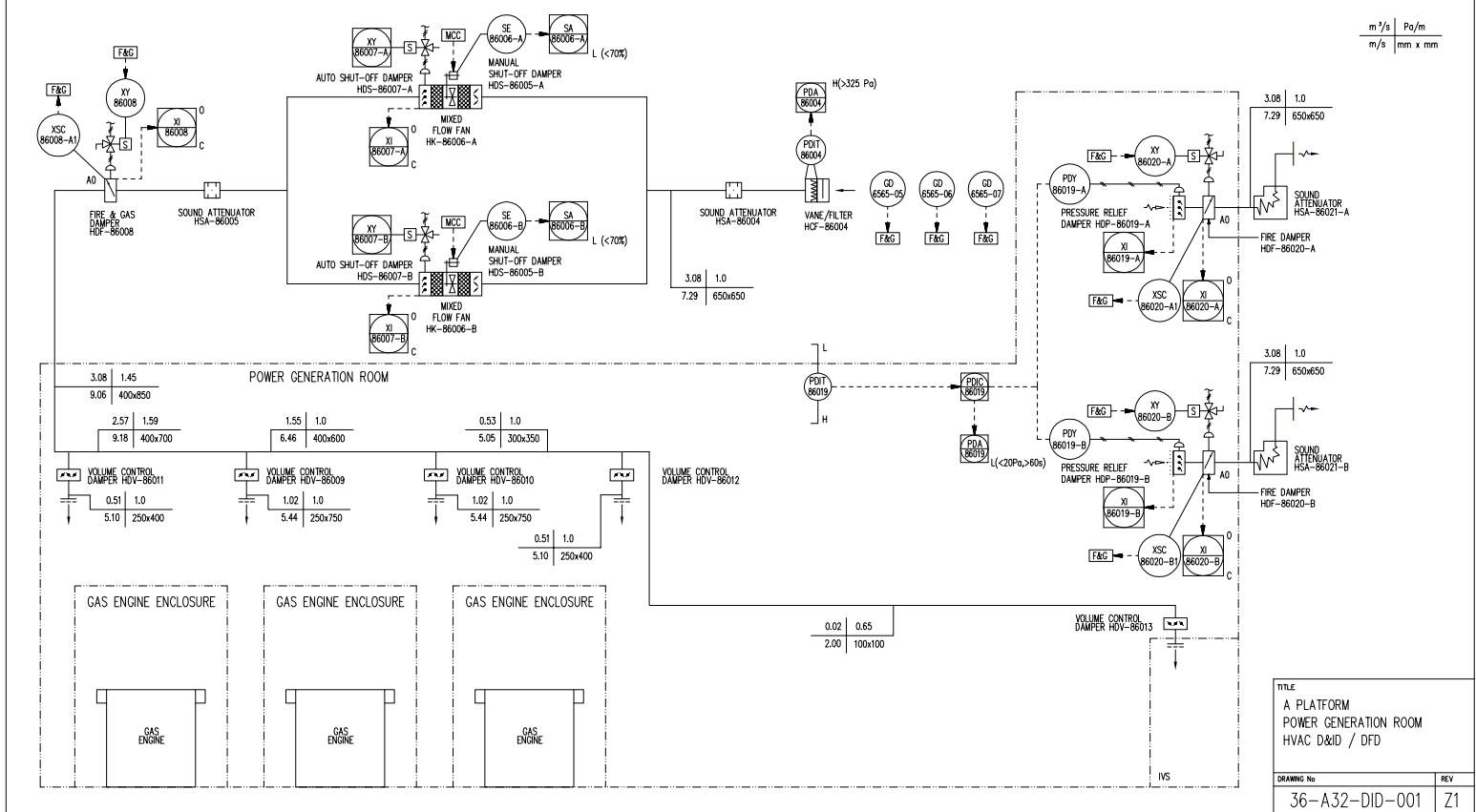


TAG NUMBER	HCF-86004	HSA-86004	HDS-86005-A HDS-86005-B	HK-86006-A HK-86006-B	HDS-86007-A HDS-86007-B	HSA-86005	HDV-86008	HDV-86009 HDV-86010	HDV-86011 HDV-86012	HDV-86013	HDP-86019-A HDP-86019-B	HDF-86020-A HDF-86020-B	HSA-86021-A HSA-86021-B
DESCRIPTION	FILTRATION UNIT	SOUND ATTENUATOR	MANUAL SHUT-OFF DAMPER	SUPPLY FAN	AUTO SHUT-OFF DAMPER	SOUND ATTENUATOR	FIRE DAMPER	VOLUME CONTROL DAMPERS	VOLUME CONTROL DAMPERS	VOLUME CONTROL DAMPER	PRESSURE CONTROL DAMPERS	FIRE DAMPERS	SOUND ATTENUATORS
POWER RATING	n/a	n/a	n/a	2 x MOTORS @ 11 kW	n/a	n/a	n/a	n/a	n/a	n/a	n/a	n/a	n/a
PERFORMANCE	n/a	n/a	n/a	3.08 m <sup>3</sup> /s @ 750 Pa	n/a	n/a	A60	1.02 m <sup>3</sup> /s	0.51 m <sup>3</sup> /s	0.02 m <sup>3</sup> /s	n/a	A0	n/a

POWER GENERATION	PRESSURE (Pa) MIN +50 MAX n/a	TEMPERATURE (°C) MIN n/a MAX +35
	(PRESSURE IN Pa REFERENCED TO ATMOSPHERIC)	

- NOTES:-
1. MODULE BOUNDARY SHOWN THIS--
  2. --- --- --- DENOTES PNEUMATIC PIPEWORK
  3. --- --- --- DENOTES ELECTRIC WIRING
  4. THIS DRAWING ONLY REFERS TO GAS DETECTION THAT IS DIRECTLY ASSOCIATED WITH THE HVAC SYSTEMS. FOR FULL DETECTOR DETAILS REFER TO INSTRUMENT DRAWINGS.



m<sup>3</sup>/s | Pa/m  
m/s | mm x mm

TITLE	
A PLATFORM POWER GENERATION ROOM HVAC D&I / DFD	
DRAWING No	REV
36-A32-DID-001	Z1